

we
are
arco

we
make
tables

product
Essenza

designer
Willem van Ast

Year
1999

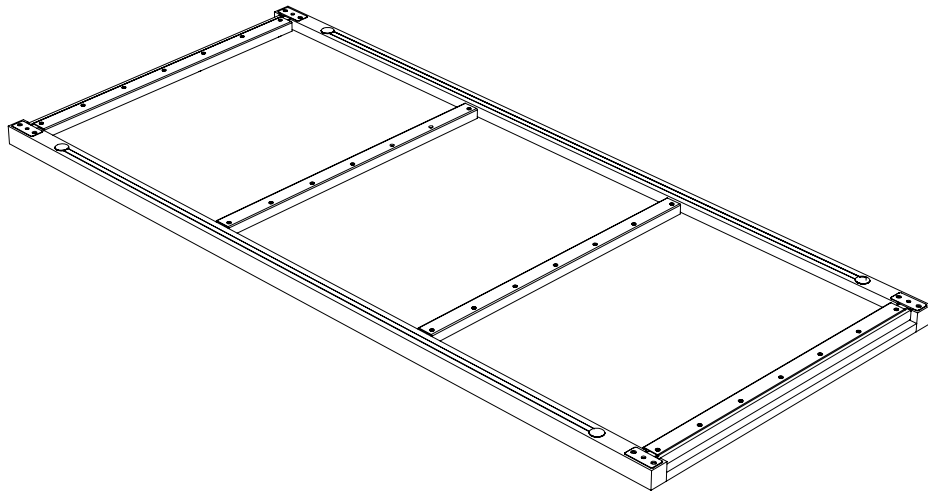
Assembly
instructions

Please follow step 1 - 9.

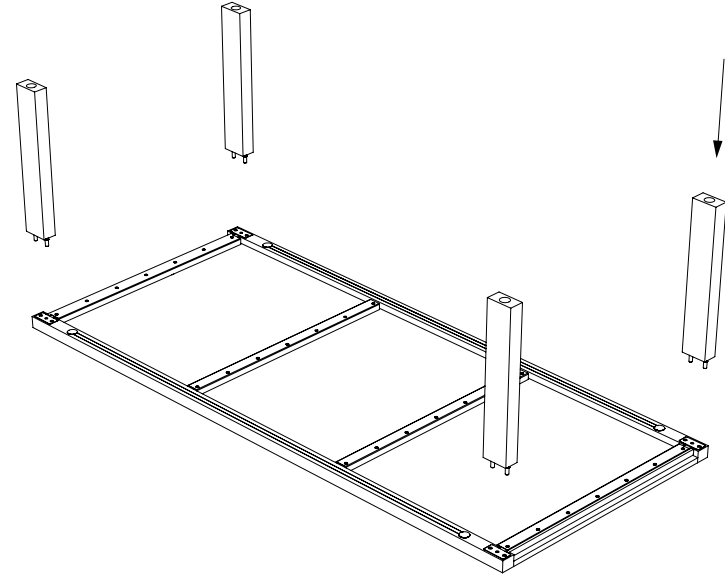


arco

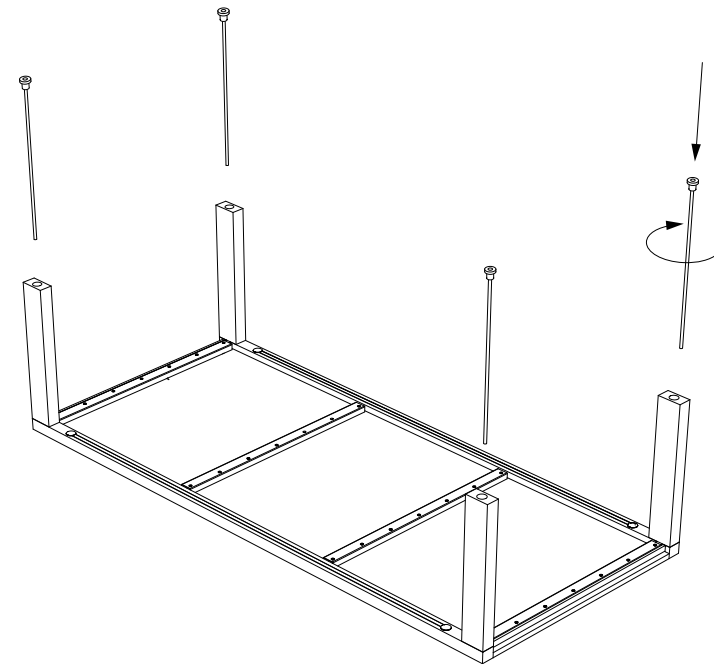
②



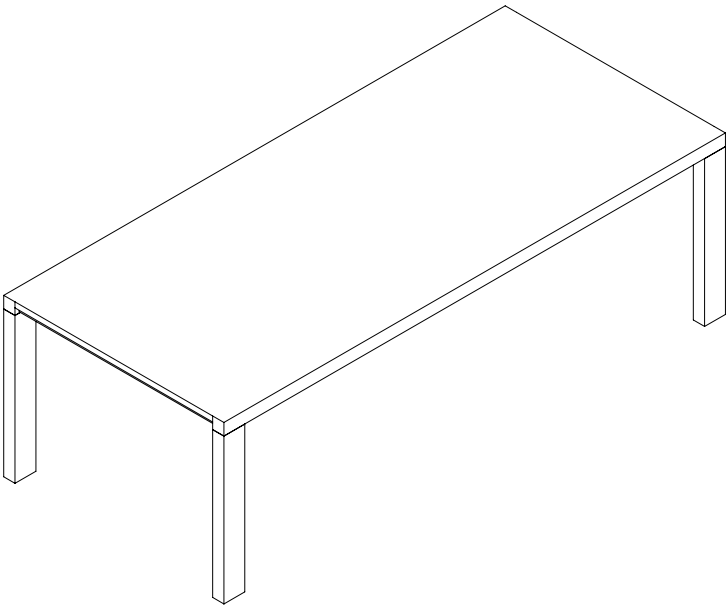
①



③

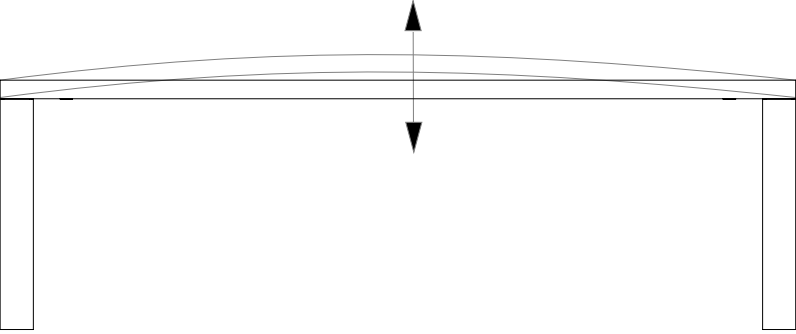


4

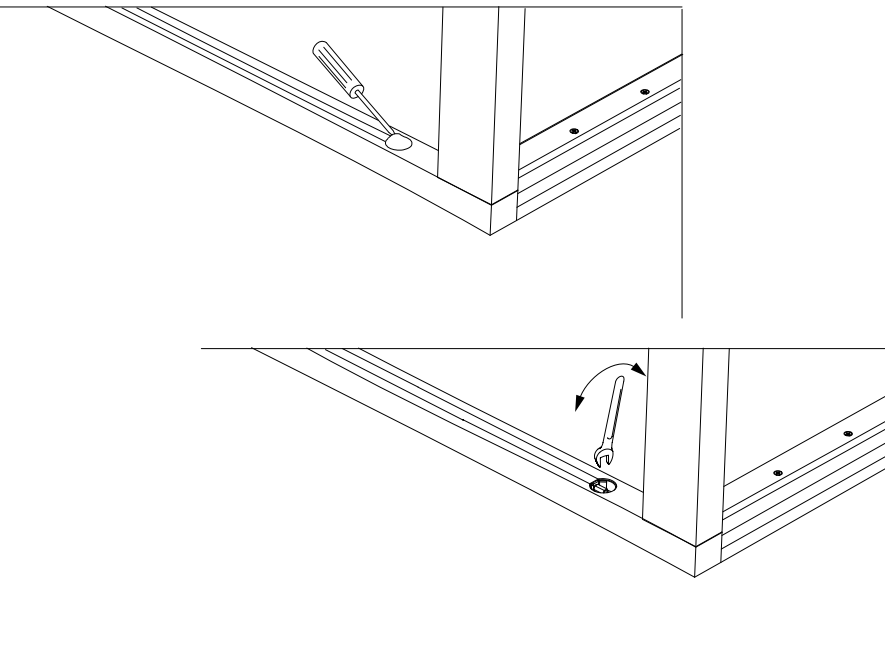


5

Instructions to correct the evenness of the table-top.
Can be corrected on two sides by means of tightening the sludge.
As a result of tightening this sludge, the table-top will "swell" a little.



6



7